

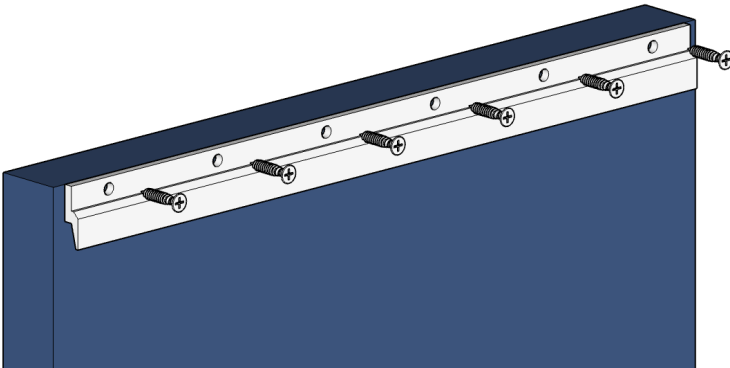


### INSTALLING SHUTTERS WITH FRENCH CLEAT BRACKETS (FIXED MOUNTING)

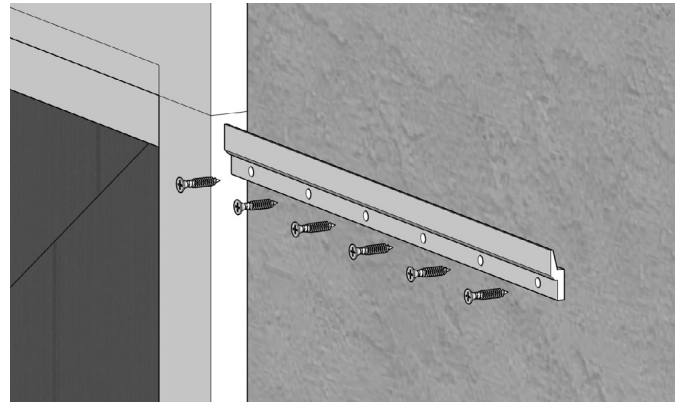
1. Attach french cleat bracket to shutters. French cleat brackets should be fastened to shutters with holes on top. Pre-drill, then fasten with screws. (Figure 1). Repeat on bottom of shutters with holes remaining on top. NOTE: Ensure bottom of French cleat bracket does not exceed shutter.
2. Attach French cleat brackets to structure. French cleat brackets should be fastened to structure with holes on bottom. Pre-drill, then fasten with screws. (Figure 2)
3. Slide shutter with French cleat brackets installed, over the top of the French cleat brackets that are installed on the structure. (Figure 3 Top and Figure 4 Bottom)

NOTE: Ekena Millwork shutters 48" and over require additional 1½" wide French cleat brackets installed on both sides of each shutter. Repeat same steps at center of shutter side rails if applicable.

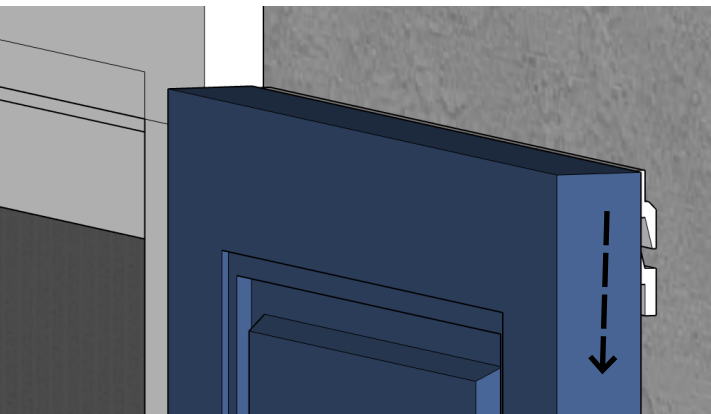
**FIGURE 1**



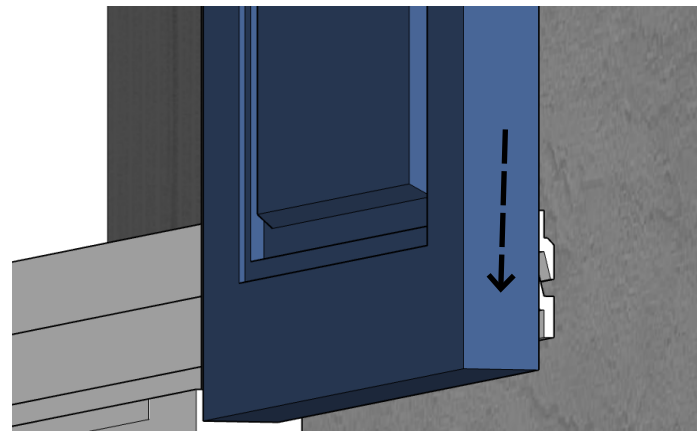
**FIGURE 2**



**FIGURE 3 (TOP)**

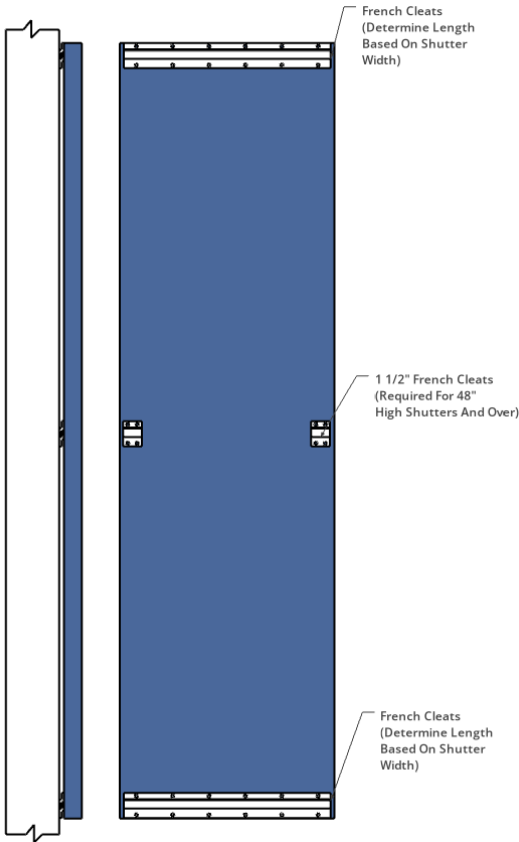


**FIGURE 4 (BOTTOM)**

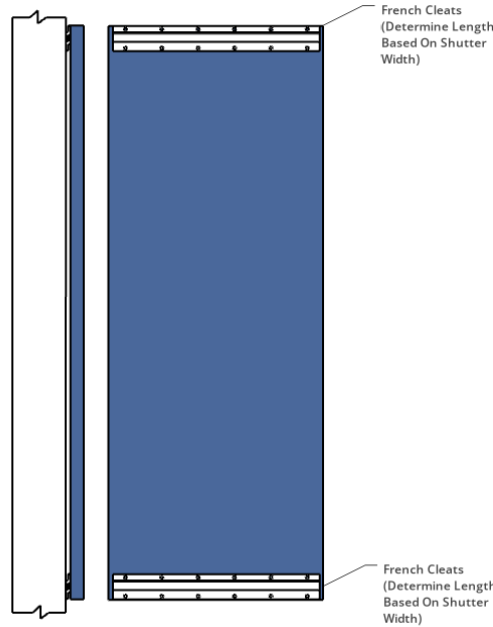




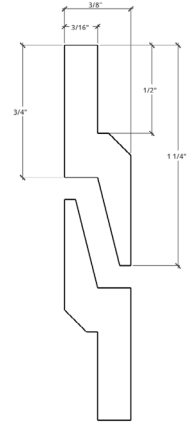
### FRENCH CLEAT EXAMPLE 48" HIGH AND OVER)



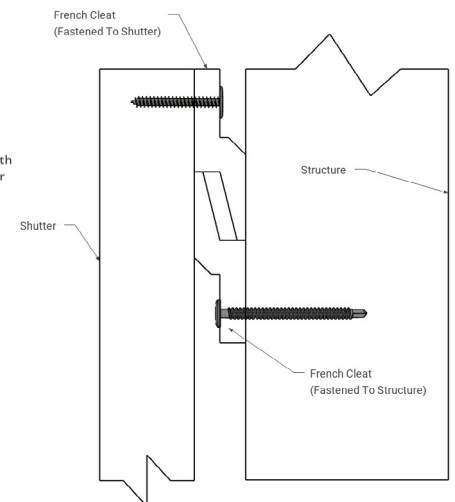
### FRENCH CLEAT EXAMPLE (UNDER 48" HIGH)



### FRENCH CLEAT DETAIL



### FRENCH CLEAT ATTACHMENT DETAIL



**NOTE:** Cleats may be inset from edges of shutters. Use closest size down French cleats. For example, if shutters are 18" wide, use closest size down 17 1/2" French cleats.

Recommendations are intended for Ekena Millwork shutters. If using other shutters, install at users's sole discretion.

## INSTALLATION NOTES

- French cleat brackets are intended for flat surfaces only and will not install properly on uneven siding, stone, or other uneven surfaces. If surface is uneven, install with hinges/pintels, or use screws through the front of the shutter into the structure. Touch up may be required if using alternate method of mechanically fastening shutters to structure with screws.
- Masonry surfaces require anchors for screws to properly secure the brackets to the structure. Anchors are not provided, but may be sourced through a local hardware supplier. Screw type and length requirements may vary depending on install surface. Installer to determine screw type, length, and anchoring methods.
- French cleat brackets do not mechanically fasten the shutter to the structure and rely on the weight of the shutter and gravity to hold the shutters in place, similar. This method provides the most concealed where fasteners are not visible with no touch up required.
- Instructions are intended to be general in nature. Applications, techniques, and requirements may vary.
- Use discretion when penetrating surfaces.