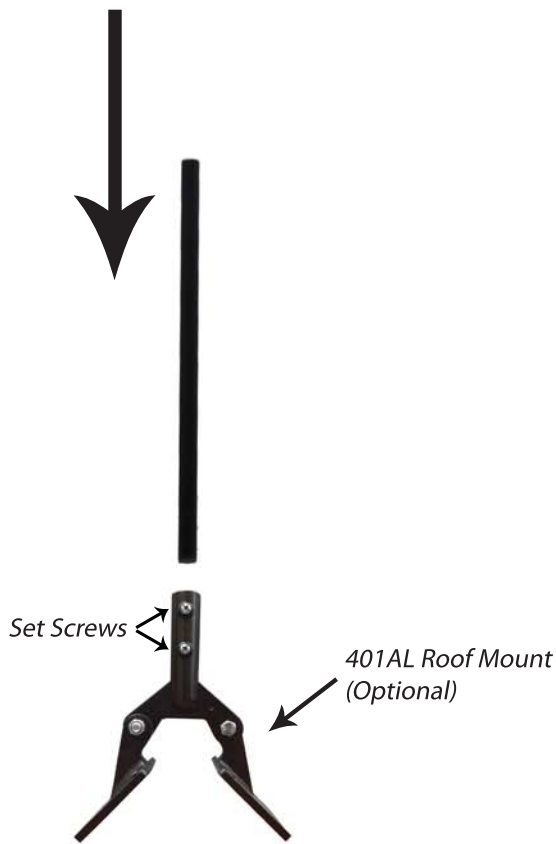




Finial Assembly Instructions

Your Package Includes:

- 1 - Finial Figure
- 1 - Steel Rod



1. Insert steel rod into roof mount or cupola.
Note: If using a 401AL Roof Mount (shown) be sure to tighten set screws.



2. Slide the finial over the steel rod.



Optional: The steel rod can be shortened if necessary.

Steel rod can also be installed in a cupola or a 3/4" hole drilled through roof and into ridge board.