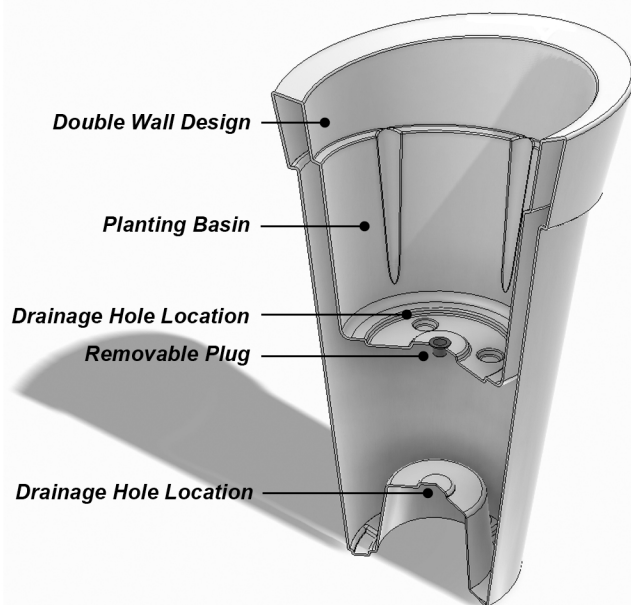


Creston designer planter

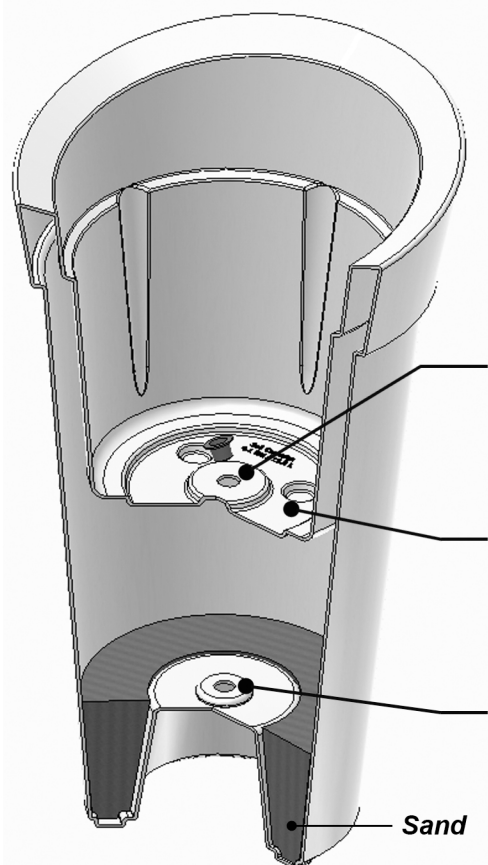


Model # 5881
Polyresin Planter
Indoor/Outdoor Use
UV Protected
Shock Resistant



GENERAL INFORMATION:

- Molded from durable, all-weather polyethylene
- Drill drainage holes when using planters outdoors
- For increased stability we recommend filling in the inner cavity with sand or gravel
- Rinse clean with a garden hose; for a deeper clean, use a power washer



INSTALLATION TIPS:

To increase stability, remove the rubber plug and use a funnel to fill the inner cavity with sand. Alternatives include pea gravel or crushed gravel. A slightly larger hole may need to be drilled if you choose this option.

For outdoor use drill 1.3 cm (1/2 in) drainage holes in the marked locations. There are 3 recessed areas in the bottom of the planter basin

For outdoor use be sure to drill a 1.3 cm (1/2 in) drainage hole in the bottom of the planter as well.



MAYNE
Outdoor Products of Distinction
www.gomayne.com

For customer service inquiries email customerservice@gomayne.com or call toll free at 866-363-8834 (available Monday through Friday, 8am-5pm EST).