

installation instructions:

# PVC FLAT TRIM

## SAFETY INSTRUCTIONS

Make sure to use the recommended tools.

Wear proper protective gear.

Follow fixture, power tools, manufacturers' instructions, and user manuals.

Use common sense and follow good construction practices.

### TOOL & MATERIAL CHECKLIST

- miter saw
- miter box
- hammer or nail gun
- nails
- PVC cement
- acrylic caulk
- caulk gun
- sandpaper
- 100% acrylic paint
- tape measure
- utility knife
- safety glasses
- chalk line box & pencil

### SPECIAL INSTRUCTIONS & NOTES

- You can use standard woodworking tools to cut or drill.
- Use scarf joints and join them at studs with PVC cement and stainless steel screws.
- Hot-dipped galvanized or stainless steel nails/screws are best for PVC trim.
- PVC expands and contracts with temperature. If you are installing above 80 degrees F, cut pieces to fit tightly. 60-80 degrees, leave a 1/16-in gap for 18 ft of length. Below 60 degrees, leave a 1/8-in gap. After installation cover gap with acrylic caulk.
- Fill fastener holes in with PVC acrylic caulk.
- Glue joints and miters together with PVC cement.
- Use 100% acrylic paint before installing, finish with final coat to cover chalked holes.

### STEP BY STEP INSTRUCTIONS

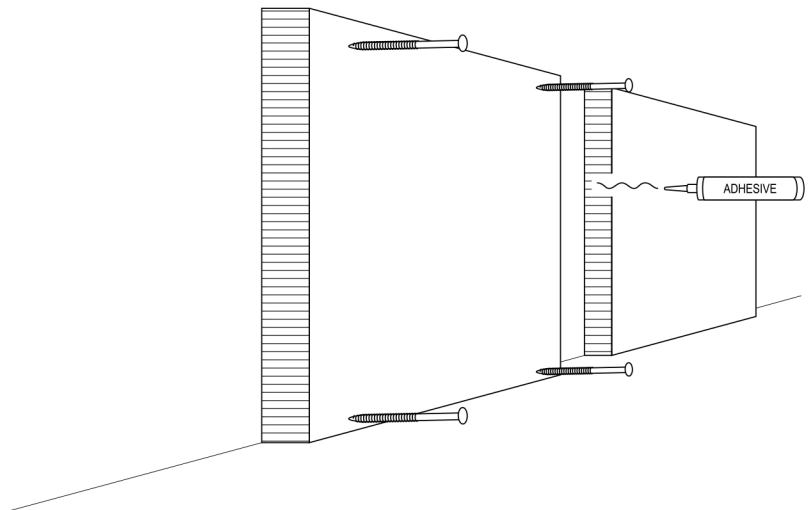
#### Mitering Corners

1. Place moulding in the miter box with the wall side against the side of the miter box opposite you and the ceiling touching side against the bottom of the box.
2. Cut miters and butt joints prior to installation.

#### Moulding Installation

1. Apply a continuous 1/2" bead of adhesive along the top and back of moulding lengths and universal corners. Press moulding into place.
2. Secure the moulding in place with finishing nails
3. Apply caulk in remaining gaps and smooth with finger.
4. Lightly sand any touch-up areas and paint as needed.

### EXAMPLE INSTALLATION DIAGRAMS



We Can Help. Call (866) 607-0453



Industry leading manufacturer of urethane, PVC, wood, rustic, and metal millwork

[www.ekenamillwork.com](http://www.ekenamillwork.com)