

installation instructions:

SIGNATURE URETHANE FLAT TRIM

SAFETY INSTRUCTIONS

Make sure to use the recommended tools.

Wear proper protective gear.

Follow fixture, power tools, manufacturers' instructions, and user manuals.

Use common sense and follow good construction practices.

TOOL & MATERIAL CHECKLIST

- | | |
|--|--|
| <input type="checkbox"/> miter saw | <input type="checkbox"/> 100% acrylic paint |
| <input type="checkbox"/> miter box | <input type="checkbox"/> tape measure |
| <input type="checkbox"/> hammer or nail gun | <input type="checkbox"/> utility knife |
| <input type="checkbox"/> nails | <input type="checkbox"/> safety glasses |
| <input type="checkbox"/> construction adhesive | <input type="checkbox"/> chalk line box & pencil |
| <input type="checkbox"/> acrylic caulk | |
| <input type="checkbox"/> caulk gun | |
| <input type="checkbox"/> sandpaper | |

SPECIAL INSTRUCTIONS & NOTES

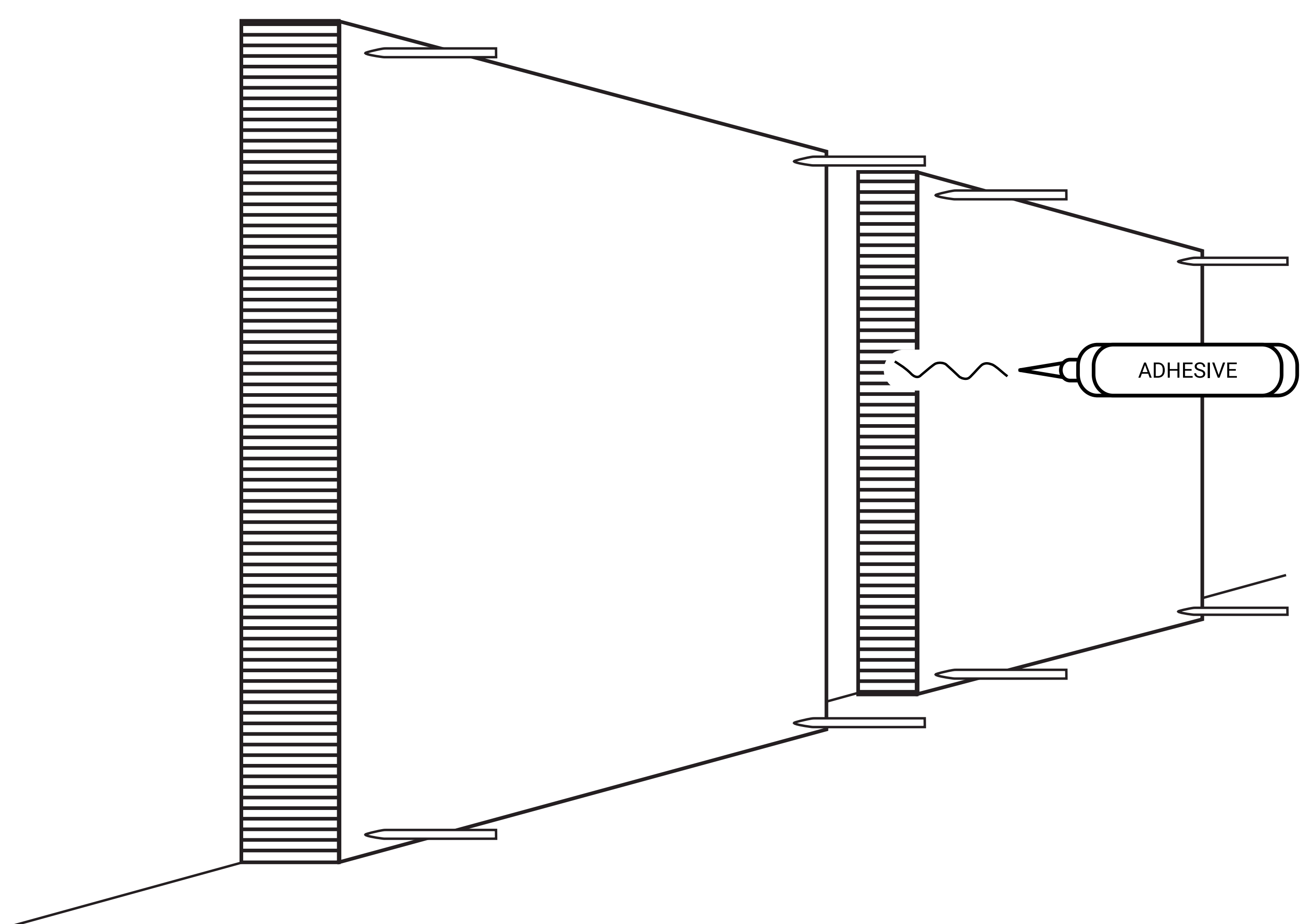
- You can use standard woodworking tools to cut or drill.
- Hot-dipped galvanized or stainless steel nails/screws are recommended.
- Fill fastener holes in with Bondo, putty filler, or caulking.
- Glue joints and miters together with construction adhesive.
- Use 100% acrylic paint before installing, finish with final coat to cover chalked holes.
- Recommended adhesive for exterior applications: Loctite PL Premium
- Recommended adhesive for interior applications: Loctite Power Grab

STEP BY STEP INSTRUCTIONS

Moulding Installation

1. Measure the perimeter of the area where the flat trim molding will be installed.
2. Determine the molding length for each piece to fit room dimensions.
3. Cut molding to the necessary lengths using a miter saw.
4. Apply a ½" bead of adhesive to the back of the molding, then press molding firmly into place.
5. Secure molding with finish nails.
6. Use caulking to fill any voids or nail holes.
7. Lightly sand or touch up any necessary areas.
8. Prime, then paint using 100% acrylic paint.

EXAMPLE INSTALLATION DIAGRAMS



We Can Help. Call (866) 607-0453



Industry leading manufacturer of urethane, PVC, wood, rustic, and metal millwork

www.ekenamillwork.com

installation instructions:

SIGNATURE URETHANE FLAT TRIM

SAFETY INSTRUCTIONS

Make sure to use the correct tools recommended.

Wear safety goggles.

Follow fixture, power tools, and paint manufacturers' instructions and users manuals.

Use common sense and follow good construction practices.

TOOL & MATERIAL CHECKLIST

- | | |
|--|--|
| <input type="checkbox"/> miter saw | <input type="checkbox"/> sandpaper |
| <input type="checkbox"/> miter box | <input type="checkbox"/> 100% acrylic paint |
| <input type="checkbox"/> hammer or nail gun | <input type="checkbox"/> tape measure |
| <input type="checkbox"/> nails | <input type="checkbox"/> utility knife |
| <input type="checkbox"/> construction adhesive | <input type="checkbox"/> safety glasses |
| <input type="checkbox"/> acrylic caulk | <input type="checkbox"/> chalk line box pencil |
| <input type="checkbox"/> caulk gun | |

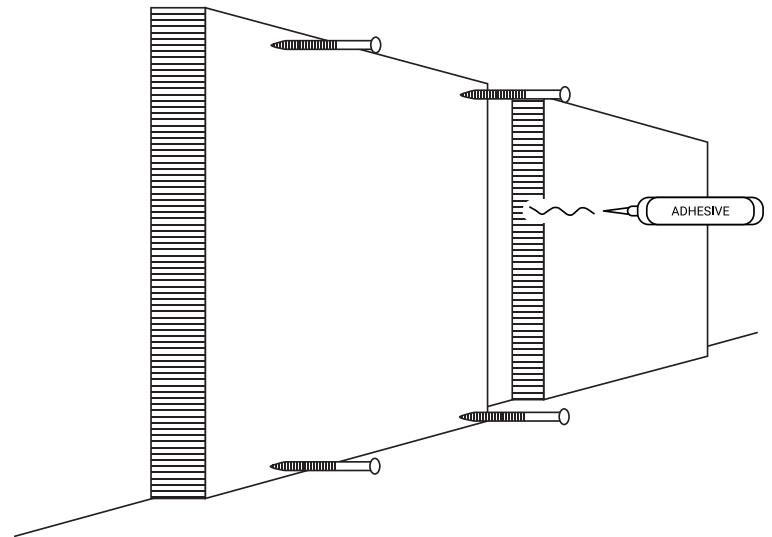
IMPORTANT INFO

- You can use standard woodworking tools to cut or drill.
- Hot-dipped galvanized or stainless steel nails/screws are recommended.
- Fill fastener holes in with Bondo, putty filler, or caulking.
- Glue joints and miters together with construction adhesive.
- Use 100% acrylic paint before installing and finish with final coat to cover chalked holes.
- Recommended adhesive for exterior applications: Loctite PL Premium
- Recommended adhesive for interior applications: Loctite Power Grab

INSTALL INSTRUCTIONS:

1. Measure the perimeter of the area where the flat trim moulding will be installed.
2. Determine the moulding length for each piece to fit room dimensions.
3. Cut moulding to the necessary length using miter saw.
4. Apply a 1/2" bead of adhesive to the back of the moulding, then press moulding firmly into place.
5. Secure moulding with finish nails.
6. Use caulking to fill any voids or nail holes.
7. Lightly sand or touch up any necessary areas.
8. Prime, then paint using 100% acrylic paint.

EXAMPLE DIAGRAM:



We Can Help. Call (866) 607-0453



Industry leading manufacturer of urethane, PVC, wood, rustic, and metal millwork

www.ekenamillwork.com