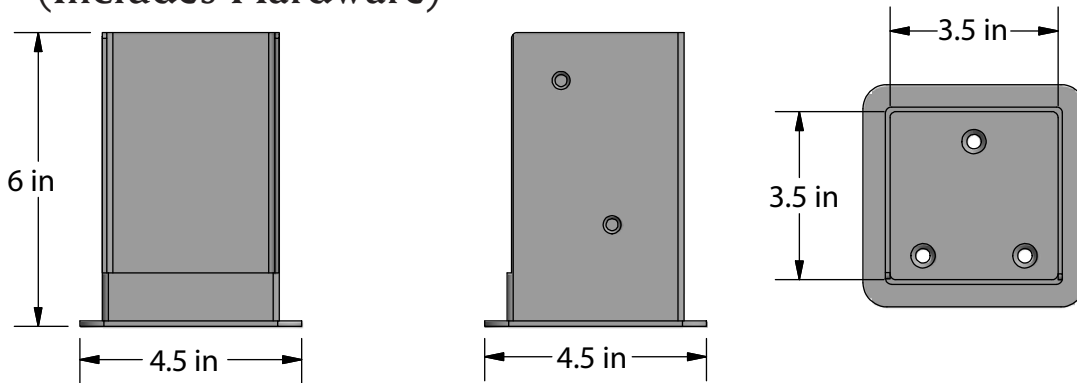


ASSEMBLY INSTRUCTIONS

Bolt Down Bracket System (4) (Includes Hardware)



Designed to be used to mount any New England Arbor product with 5x5 posts (pergolas and arbors).

If you are installing a Pergola, refer to page 8 of the instruction manual for more detailed post location information for your specific model.

Please read through before starting installation.

Warning:
If you are installing a pergola on a wood deck or concrete surface, it is highly recommended that you purchase this product.

Check Box for These Contents

In the event of missing or defective parts please call our customer service dept. at **1 800 282 9346, ext #20** (Mon. to Fri. 8:00 AM to 4:00 PM EST).

1. Steel Post Bracket (4)
2. 1 1/2" Self Tapping Screws (16) to fasten wood posts to Steel Post Brackets

Extra Materials Required

If mounting Pergola / Arbor onto an existing concrete surface:

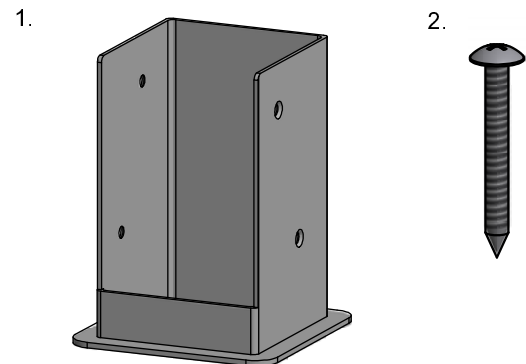
- 4x4x8' pressure treated wood posts if using for a pergola (4) OR
- 4x4x ? pressure treated wood posts if using for an arbor (4)
(length depends on arbor)
- 1/2"x4"x12" long wood shims to "build out" posts (16)
- 1/4" x 2 3/4" Cement Screws - Countersunk head (12)
- 3/16" Concrete drill bit. Minimum 3" long (1)

If mounting Pergola / Arbor onto a wooden or composite deck with AN ACCESSIBLE UNDERSIDE:

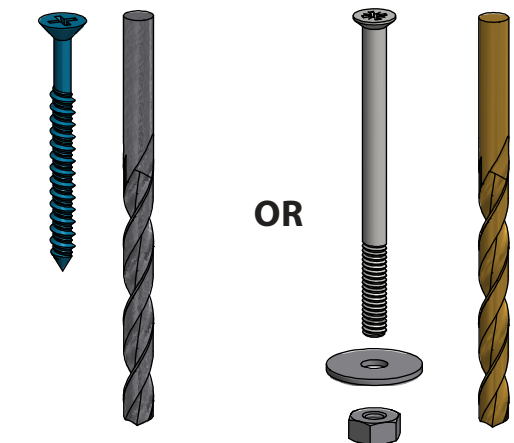
- 4x4x8' pressure treated wood posts if using for a pergola (4) OR
- 4x4x ? pressure treated wood posts if using for an arbor (4)
(length depends on arbor)
- 1/2"x4"x12" long wood shims to "build out" posts (16)
- 1/4" x ?" Bolts and nuts - Countersunk Head (12)
(length depends on blocking material)
- 1/4" Washers (12)
- 1/4" Wood drill bit. Minimum 3" long (1)

Tools You Will Need

- Cordless Drill
- Concrete Hammer Drill (if drilling in concrete)
- Wrenches/Socket Set (if fastening with bolts)



Extra Hardware Required:



1/4" x 2 3/4"
Cement Screws
and
3/16" Concrete
Drill Bit

OR
1/4" x ?"
Bolt, Washer, and Nut
and 3/16" Wood Drill Bit
Bolt Length would be:
thickness of deck +
thickness of blocking
material + ±1/2"

STEPS

1

Measure and mark out the location of the pergola or arbor posts using string or chalk line. Diagonal distances must be the same to ensure a square installation. Adjust string lines accordingly. The inside corner of the string lines will be the post location.

2

Mark out the location of bolt down brackets.

IF MOUNTING TO CONCRETE SURFACE, proceed to step 3
IF MOUNTING TO WOOD OR COMPOSITE DECKING, proceed to step 4

3

Using a 3/16" masonry drill bit, drill 3" deep holes to allow installation of 2 3/4" concrete screws (purchased separately)

Proceed to install three 2 3/4" concrete screws into the bottom base of each of the bolt down bracket.

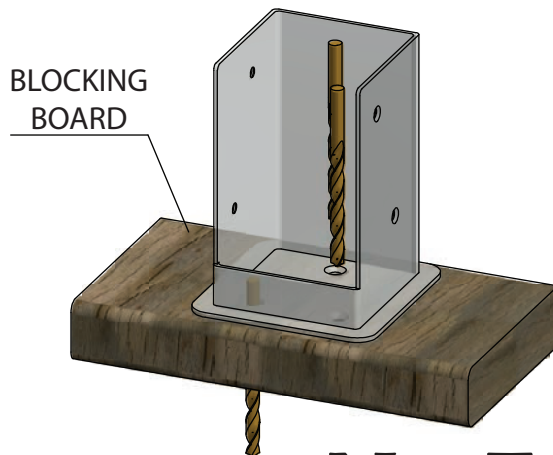
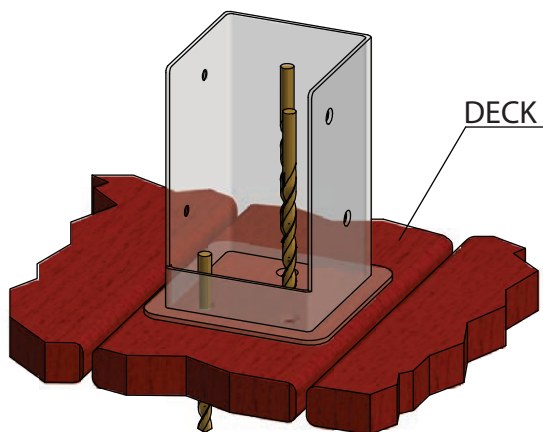
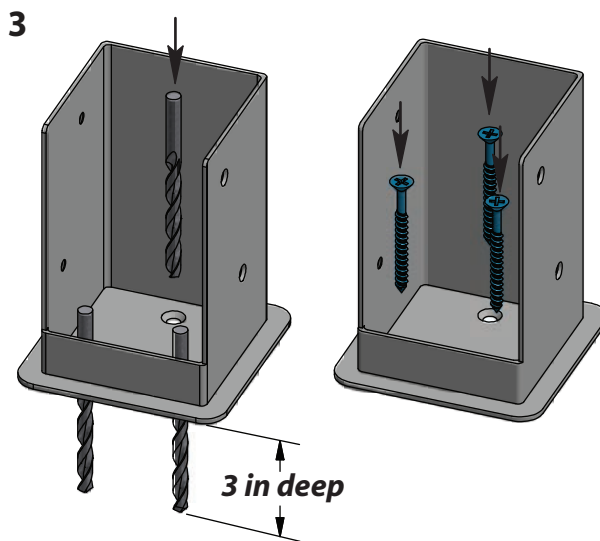
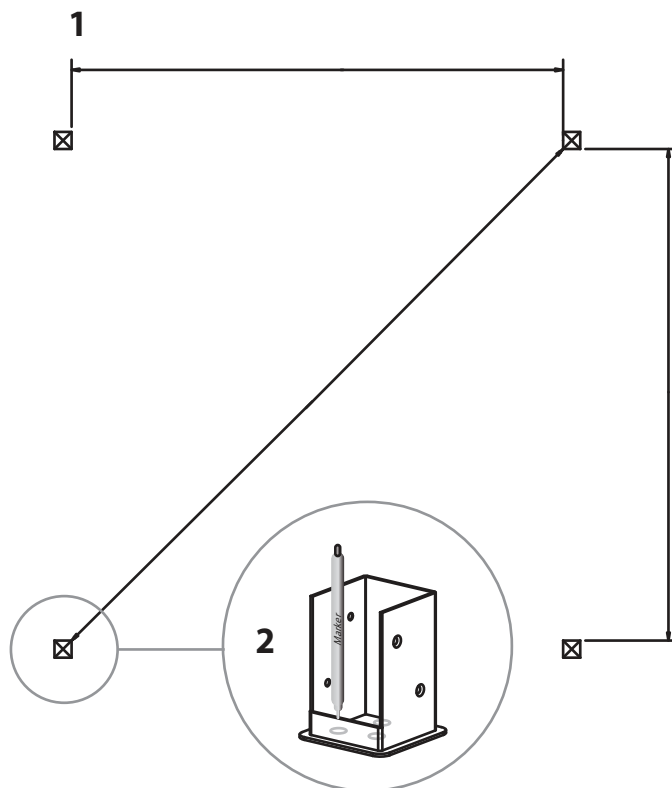
Proceed to step 6

Please Note:

Concrete patios generally have sloped surface for water run-off. If this is the case, when you secure the bolt down bracket to the concrete, the bracket may be at an angle. This can be corrected for level using galvanized steel washers (not provided), acting as shims underneath the base to level - **VERY IMPORTANT OR PERGOLA BEAMS AND RAFTERS WILL NOT BE LEVEL.**

4

Using a 3/16" wood drill bit, drill the three holes through the wood deck. Obtain a 'blocking board' such as a piece of 2x6 wood x 6" long. Using the bolt down bracket as a template, mark and drill three holes through the blocking board. The blocking board will go underneath the deck and will distribute the compression force created by the fasteners (bolt and nuts)

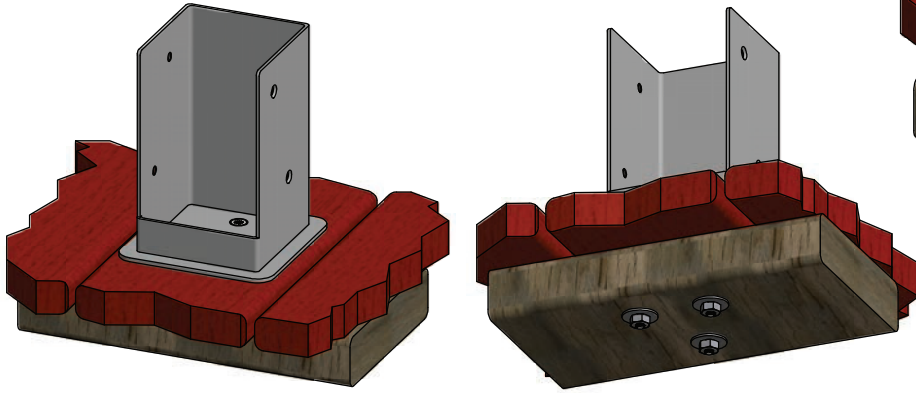


STEPS

5

Align the holes on the bottom plate of the bolt down bracket, the wood deck, and the blocking board and insert a bolt, washer, and nut as shown aside.

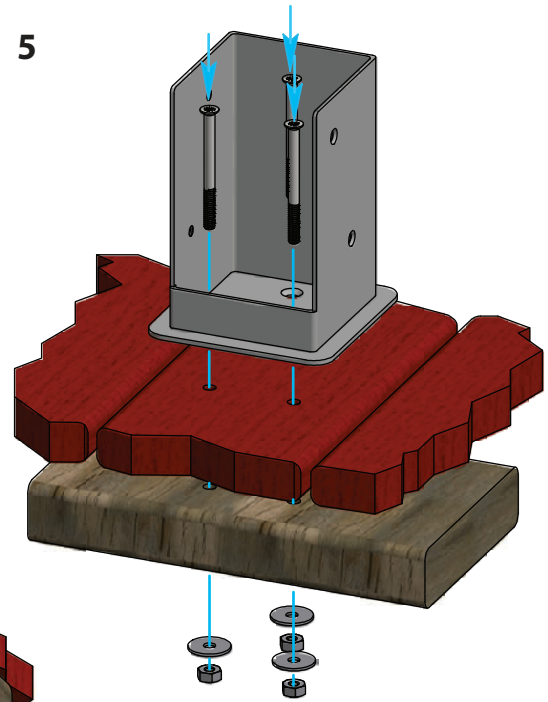
Tighten each bolt with a screwdriver and a wrench.



TOP VIEW

BOTTOM VIEW

5



6

With the four post brackets installed plumb, proceed to set the 4x4 wood post in place. Secure using the screws included in the kit. Repeat for all 4 posts. **NOTE: WOOD POST LENGTH NEEDS TO BE 8' LONG FOR A PERGOLA OR AS HIGH AS THE BOTTOM RAIL WILL PERMIT OF AN ARBOR.**

7

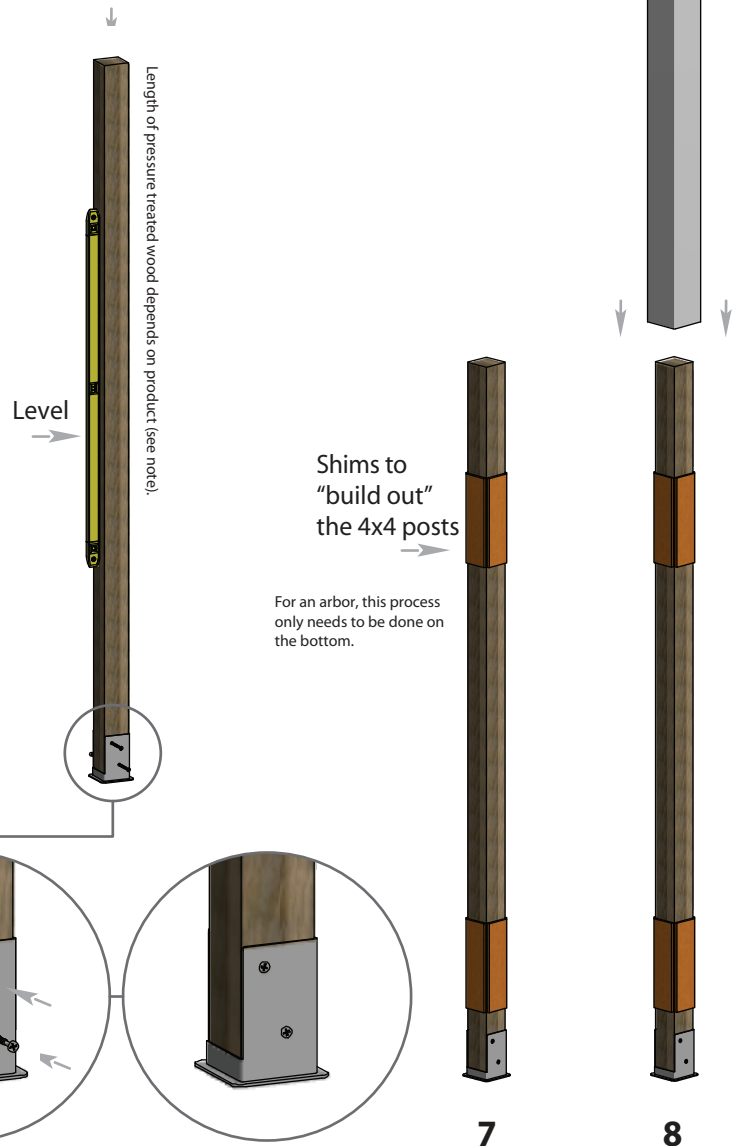
In order to create a snug fit between the wood posts and the inner cavity of the vinyl posts, it will be necessary to "build out" the 4x4 posts near the bottom and the top using 1/2" x 4" x 12" shims. Follow instructions as illustrated.

8

Using a step ladder, guide the bottom vinyl columns over the wood 4x4 posts.

9

Proceed with assembling and installing your pergola or arbor.



6

