

# Mailbox Installation Instructions

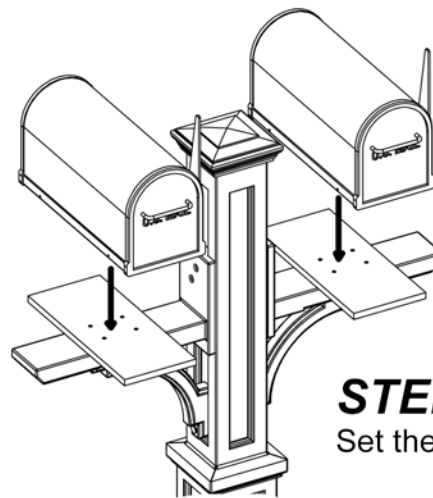
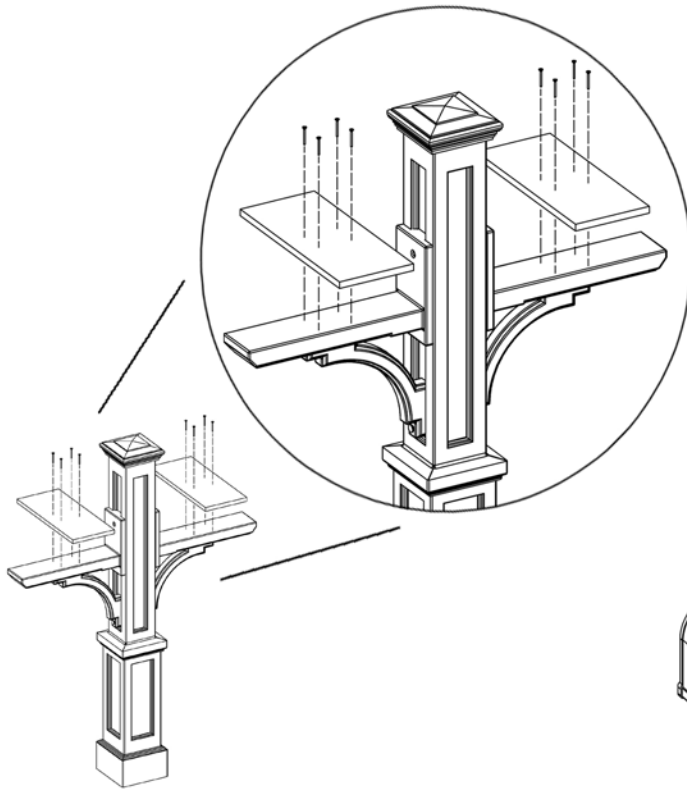
## Newport Plus Double Mail Post

For the Newport Plus Double mailbox arm a small or medium sized mailbox is recommended (approx. 6 1/2" width x 9" height x 19" length, and around 4 to 8 lbs). Mailboxes and mounting hardware are not included with any Mayne mail posts.

### STEP 1:

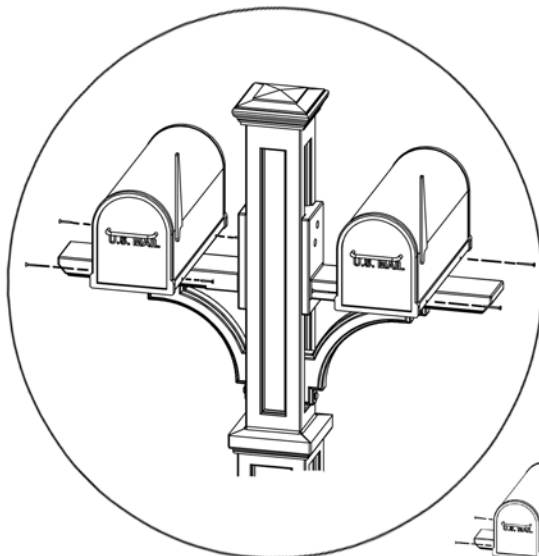
Mailboxes can be attached to our standard mailbox arm using mounting boards (as shown) or mounting brackets. Mounting boards can be made from pressure treated plywood or similar material. Secure each mounting board to the arm using wood screws. Mounting supplies and hardware can be purchased at your local hardware store.

Note: The mailbox arm contains a wood core to ensure a strong connection with the mounting board or bracket assembly.



### STEP 2:

Set the mailboxes on the arms.



### STEP 3:

Insert wood screws through the side mount holes on each mailbox to secure it firmly on the mounting boards (1" wood screws are suitable).

### Questions or concerns?

Please email [info@mayneposts.com](mailto:info@mayneposts.com) or call toll free 1-866-363-8834.