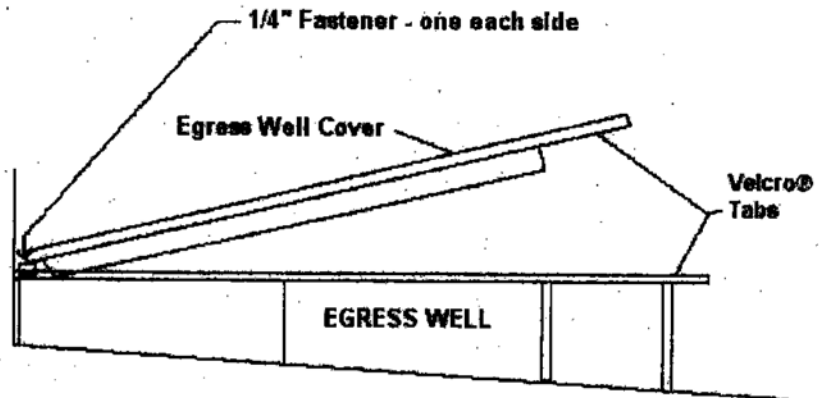


Wellcraft™

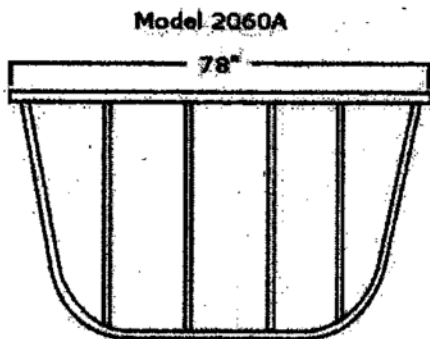
Egress Window Wells

Egress Window Well Cover Installation Instructions

For Model #2060A

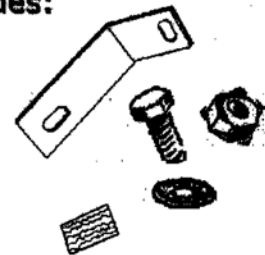


- STEP 1:** The width of the well from outside of mounting flange to outside of the other mounting flange should be 78". If this measurement varies significantly, the well may need to be adjusted.



Hardware Pack Includes:

- 2pcs "L" Brackets
- 2pcs 1/4" x 1" Hex Bolts
- 2pcs 1/4" Hex Nuts
- 2pcs 1/4" Flat Washers
- 2pcs 1 1/2" Velcro®



* If the hardware pack is missing, please call us at:

- STEP 2:** Remove the top anchor bolt from the left and right sides of the egress well. Attach the short leg of the "L" brackets (provided) to the bottom side of the pre-drilled hinge on the well cover using the 1/4" x 1" bolts (provided). Lay the cover on the well with the T-Braces down, or flat side up. Re-install the left and right top anchor bolts through the "L" brackets and egress well.

Note: The "L" brackets should remain on the outside of the egress well when re-installing the top anchor bolts.

- STEP 3:** Center the cover by sliding it sideways in the hinge over the egress well. Attach one part of the Velcro® fastener (provided) to the bottom of each of the outer T-Braces where they meet the rim of the well. Place the other part of the Velcro® on the well rim directly beneath each brace.

Note: Use only mild detergent and a soft cloth to clean the cover when needed.